

New: basiCube 14



New Scan Head for Laser Marking

basiCube 14

The Entry-Level Series Expands

A scan head with a 14-mm entrance aperture is the latest addition to SCANLAB's basiCube series. Labeling and marking applications that require higher precision and smaller spot sizes will particularly benefit.

With the basiCube 14, another compact high quality entry-level scan head with superior cost-effectiveness is now available. Moreover, its 600 cps writing speed guarantees exceptional dynamic performance.



Key-Features

- Compact design
- Very high writing speed
- Best price/performance

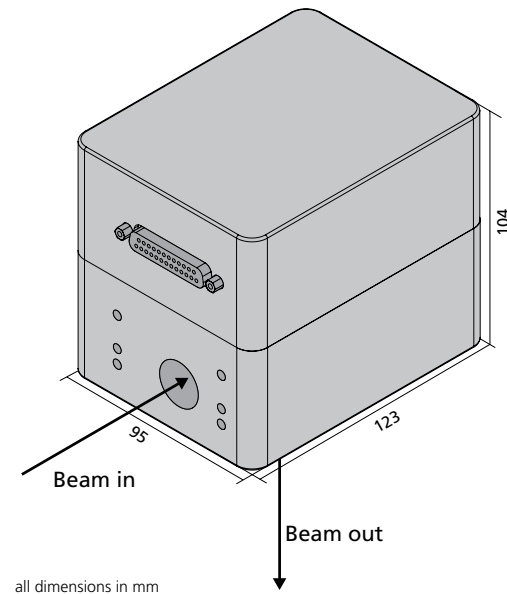
Typical Applications

- Labeling and marking applications
- Processing on the fly

Preliminary Specifications

Aperture	14 mm
Wavelength	1064 nm, 10600 nm
Tracking error	0.18 ms
Writing speed ⁽¹⁾	
Good writing quality	600 cps
Interface	XY2-100
Beam displacement	16.42 mm

⁽¹⁾ single-stroke characters of 1 mm height



03/2019 information is subject to change without notice.
Product photos are non-binding and may show customized features.
Application photo with axe handle: Cajo Technologies