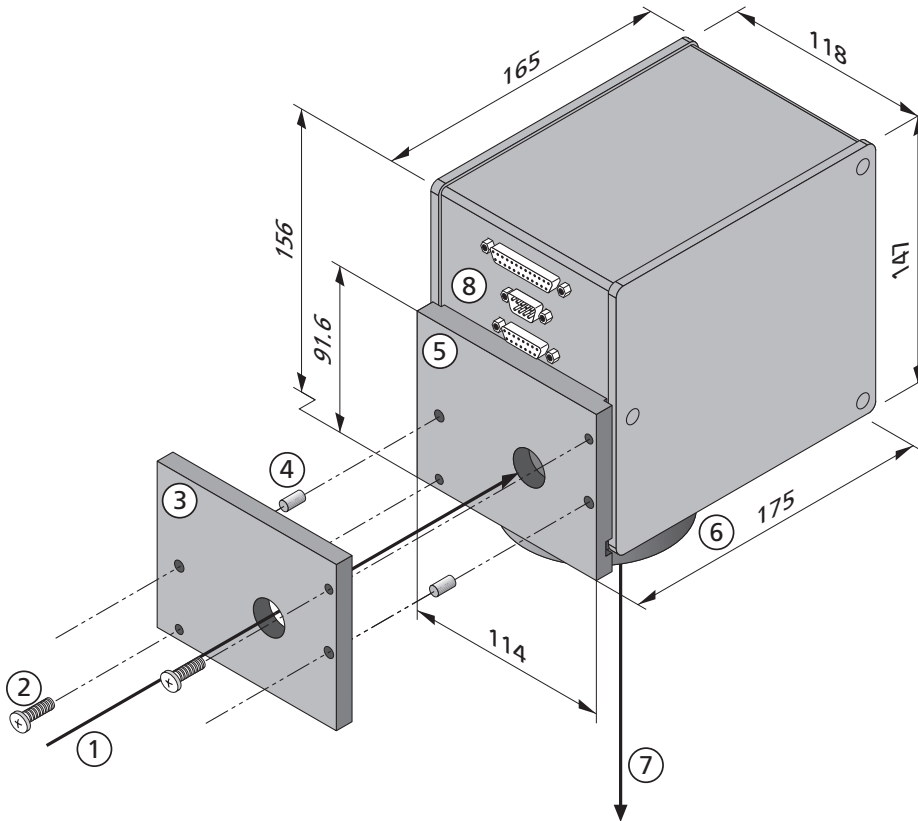


**Scan Head Series SCANgine® / hurrySCAN® / hurrySCAN® II**  
**Housing Type 100709 (with Mounting Bracket Type 100181)**



**Legend**

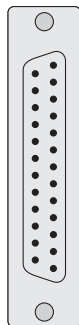
- 1 Beam in
- 2 Screws (M6 thread)
- 3 Flanch
- 4 Alignment pins (6<sub>h6</sub>)
- 5 Mounting bracket
- 6 Objective
- 7 Emerging beam
- 8 Connectors

All dimensions in mm

**Standard Pin-out Digital Version**

**DIGITAL IN**

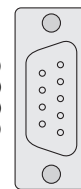
- DO NOT CONNECT (25)
- DO NOT CONNECT (24)
- DO NOT CONNECT (23)
- DO NOT CONNECT (22)
- DO NOT CONNECT (21)
- DO NOT CONNECT (20)
- STATUS+ (19)
- CHAN3+ (18)
- CHAN2+ (17)
- CHAN1+ (16)
- SYNC+ (15)
- CLOCK+ (14)



- (13) DO NOT CONNECT
- (12) DO NOT CONNECT
- (11) DO NOT CONNECT
- (10) DO NOT CONNECT
- (9) DO NOT CONNECT
- (8) DO NOT CONNECT
- (7) DO NOT CONNECT
- (6) STATUS-
- (5) CHAN3-
- (4) CHAN2-
- (3) CHAN1-
- (2) SYNC-
- (1) CLOCK-

**POWER IN**

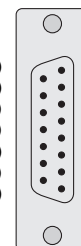
- 15 V (6)
- GND (7)
- GND (8)
- +15 V (9)



- (1) -15 V
- (2) -15 V
- (3) GND
- (4) +15 V
- (5) +15 V

**Z-OUT**

- DO NOT CONNECT (15)
- DO NOT CONNECT (14)
- RESERVED (13)
- RESERVED (12)
- DO NOT CONNECT (11)
- SIG+Z (10)
- SIG-Z (9)



- (8) DO NOT CONNECT
- (7) DO NOT CONNECT
- (6) DO NOT CONNECT
- (5) RESERVED
- (4) DO NOT CONNECT
- (3) DO NOT CONNECT
- (2) DO NOT CONNECT
- (1) DO NOT CONNECT