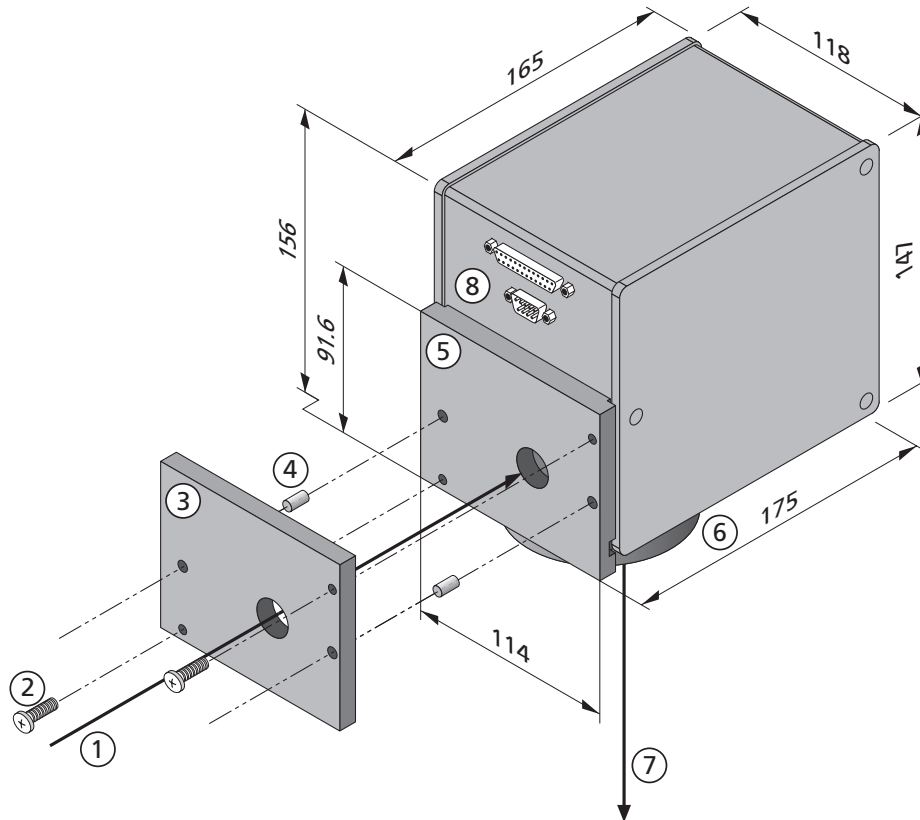


**Scan Head Series SCANgine® / hurrySCAN® / hurrySCAN® II**  
**Housing Type 100322 (with Mounting Bracket Type 100181)**



**Legend**

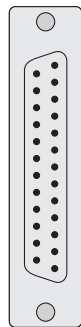
- 1 Beam in
- 2 Screws (M6 thread)
- 3 Flanch
- 4 Alignment pins (6<sub>h6</sub>)
- 5 Mounting bracket
- 6 Objective
- 7 Emerging beam
- 8 Connectors

All dimensions in mm

**Standard Pin-out Digital Version**

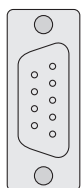
**DIGITAL IN**

DO NOT CONNECT (25)	(13) DO NOT CONNECT
DO NOT CONNECT (24)	(12) DO NOT CONNECT
DO NOT CONNECT (23)	(11) DO NOT CONNECT
DO NOT CONNECT (22)	(10) DO NOT CONNECT
DO NOT CONNECT (21)	(9) DO NOT CONNECT
DO NOT CONNECT (20)	(8) DO NOT CONNECT
STATUS+ (19)	(7) DO NOT CONNECT
DO NOT CONNECT (18)	(6) STATUS-
CHAN2+ (17)	(5) DO NOT CONNECT
CHAN1+ (16)	(4) CHAN2-
SYNC+ (15)	(3) CHAN1-
CLOCK+ (14)	(2) SYNC-
	(1) CLOCK-



**POWER IN**

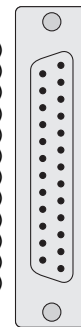
-15 V (6)	(1) -15 V
GND (7)	(2) -15 V
GND (8)	(3) GND
+15 V (9)	(4) +15 V
	(5) +15 V



**Standard Pin-out Analog Version**

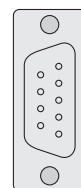
**ANALOG IN**

DO NOT CONNECT (25)	(13) DO NOT CONNECT
POSACK_1 (24)	(12) DO NOT CONNECT
TEMPOK_1 (23)	(11) PWROK_1
DO NOT CONNECT (22)	(10) DO NOT CONNECT
SIG+IN_1 (21)	(9) GND
SIG-IN_1 (20)	(8) GND
DO NOT CONNECT (19)	(7) GND
POSACK_2 (18)	(6) DO NOT CONNECT
TEMPOK_2 (17)	(5) PWROK_2
DO NOT CONNECT (16)	(4) DO NOT CONNECT
SIG+IN_2 (15)	(3) GND
SIG-IN_2 (14)	(2) GND
	(1) GND

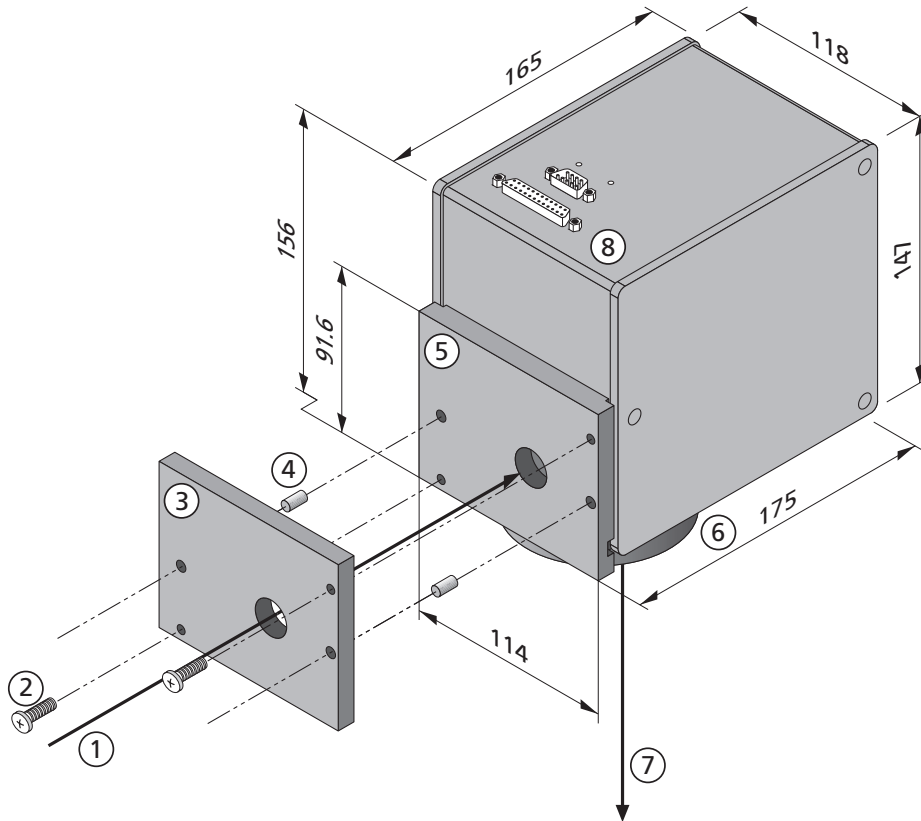


**POWER IN**

-15 V (6)	(1) -15 V
GND (7)	(2) -15 V
GND (8)	(3) GND
+15 V (9)	(4) +15 V
	(5) +15 V



**Scan Head Series SCANgine® / hurrySCAN® / hurrySCAN® II**  
**Housing Type 100602 (with Mounting Bracket Type 100181)**



**Legend**

- 1 Beam in
- 2 Screws (M6 thread)
- 3 Flanch
- 4 Alignment pins (6<sub>h6</sub>)
- 5 Mounting bracket
- 6 Objective
- 7 Emerging beam
- 8 Connectors

All dimensions in mm

**Standard Pin-out Digital Version**

**DIGITAL IN**

DO NOT CONNECT (25)	(13) DO NOT CONNECT
DO NOT CONNECT (24)	(12) DO NOT CONNECT
DO NOT CONNECT (23)	(11) DO NOT CONNECT
DO NOT CONNECT (22)	(10) DO NOT CONNECT
DO NOT CONNECT (21)	(9) DO NOT CONNECT
DO NOT CONNECT (20)	(8) DO NOT CONNECT
STATUS+ (19)	(7) DO NOT CONNECT
DO NOT CONNECT (18)	(6) STATUS-
CHAN2+ (17)	(5) DO NOT CONNECT
CHAN1+ (16)	(4) CHAN2-
SYNC+ (15)	(3) CHAN1-
CLOCK+ (14)	(2) SYNC-
	(1) CLOCK-

**POWER IN**

-15 V (6)	(1) -15 V
GND (7)	(2) -15 V
GND (8)	(3) GND
+15 V (9)	(4) +15 V
	(5) +15 V

**Standard Pin-out Analog Version**

**ANALOG IN**

DO NOT CONNECT (25)	(13) DO NOT CONNECT
POSACK_1 (24)	(12) DO NOT CONNECT
TEMPOK_1 (23)	(11) PWROK_1
DO NOT CONNECT (22)	(10) DO NOT CONNECT
SIG+IN_1 (21)	(9) GND
SIG-IN_1 (20)	(8) GND
DO NOT CONNECT (19)	(7) GND
POSACK_2 (18)	(6) DO NOT CONNECT
TEMPOK_2 (17)	(5) PWROK_2
DO NOT CONNECT (16)	(4) DO NOT CONNECT
SIG+IN_2 (15)	(3) GND
SIG-IN_2 (14)	(2) GND
	(1) GND

**POWER IN**

-15 V (6)	(1) -15 V
GND (7)	(2) -15 V
GND (8)	(3) GND
+15 V (9)	(4) +15 V
	(5) +15 V