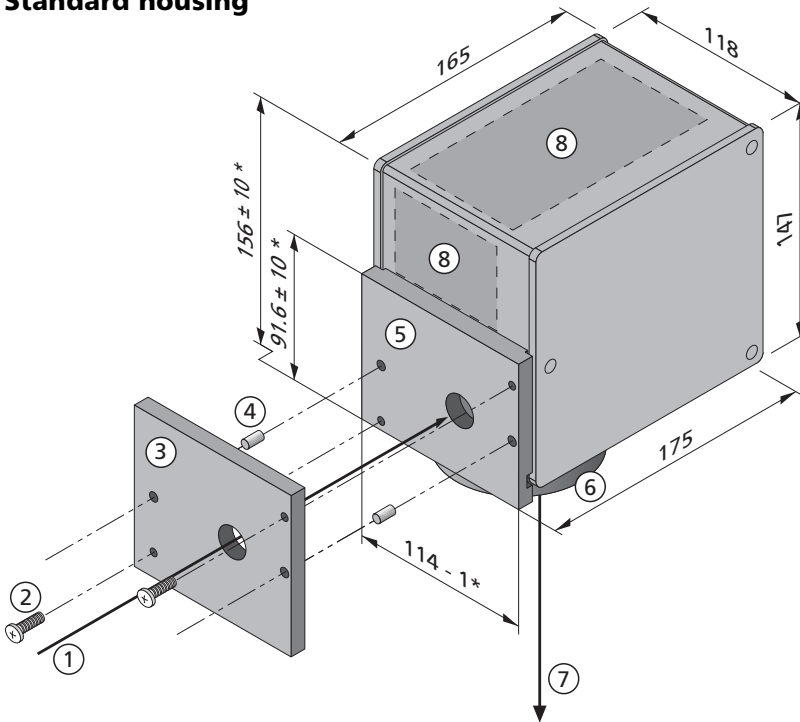


## intelliSCAN, intelliSCAN III (10 – 14 mm)

### Housing Types

#### Standard housing



#### Legend

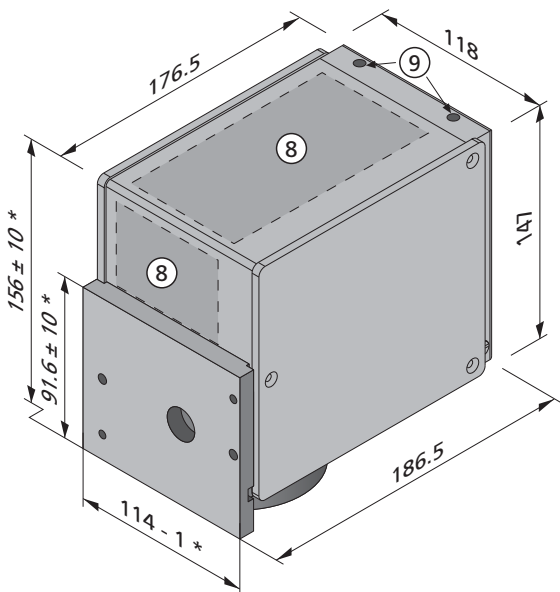
- 1 Beam in
- 2 Screws #
- 3 Flanch #
- 4 Alignment pins #
- 5 Mounting bracket \*
- 6 Objective
- 7 Emerging beam
- 8 Typical connector positions
- 9 Water cooling connections

# not included

\* standard mounting bracket: rectangular, without cut-out, 114 mm x 91.6 mm (see image left); mounting brackets with other shapes and sizes (see images below) for special objectives and according customer request possible

All dimensions in mm

#### Housing with water-cooled electronics



#### Housing with water-cooled scanners and electronics

